





























- Hazardous area installations require relay contact power below 100 Watts DC, or 100 VA AC to minimize hazard.
- Hazardous area installations require inter-terminal base connectors to remain unused.
- Magnetic Pickup input amplitude must not exceed 60Vrms to minimize hazard.
- Reference 100M8172 section 3 for additional Hazardous Area restrictions and information regarding installation of the 3701/44 system.

For further certification and approvals information, visit the following website:

<http://www.GEmeasurement.com>

### Ordering Information

For a detailed listing of country and product specific approvals, refer to the Approvals Quick Reference Guide (document 108M1756) located at the following website: [www.GEmeasurement.com](http://www.GEmeasurement.com).

The 3701/44 can be ordered as an individual component or as part of a kit that may include other components than just the monitor. Ordering part numbers are provided below for both options.

Use these part numbers to order ADAPT solution kits for specific turbine types:

- **ADAPT\_LM2500** Designed for the LM2500
- **ADAPT\_LM6000** Designed for the LM6000

Use the 3701/44 part number below to order the aero monitor.

#### 3701/44-AXX-BXX-CXX-DXX- EXX

<b>A:</b>	Redundancy	
	01	Simplex
	02	Duplex
<b>B:</b>	Input Module 1	
	00	None
	01	Prox/Accel/Velom
	03	Prox/Accel/Aero
	04	Positive Input Module
<b>C:</b>	Input Module 2	
	00	None
	01	Prox/Accel/Velom
	03	Prox/Accel/Aero
	04	Positive Input Module
<b>D:</b>	Output Module	
	00	None
	01	8 CH Relay Module

<b>E:</b>	Approvals	
	00	None (This does include the non-Hazardous area general safety certification)
	01	CSA
	02	ATEX/IECEX
	XX	Country specific

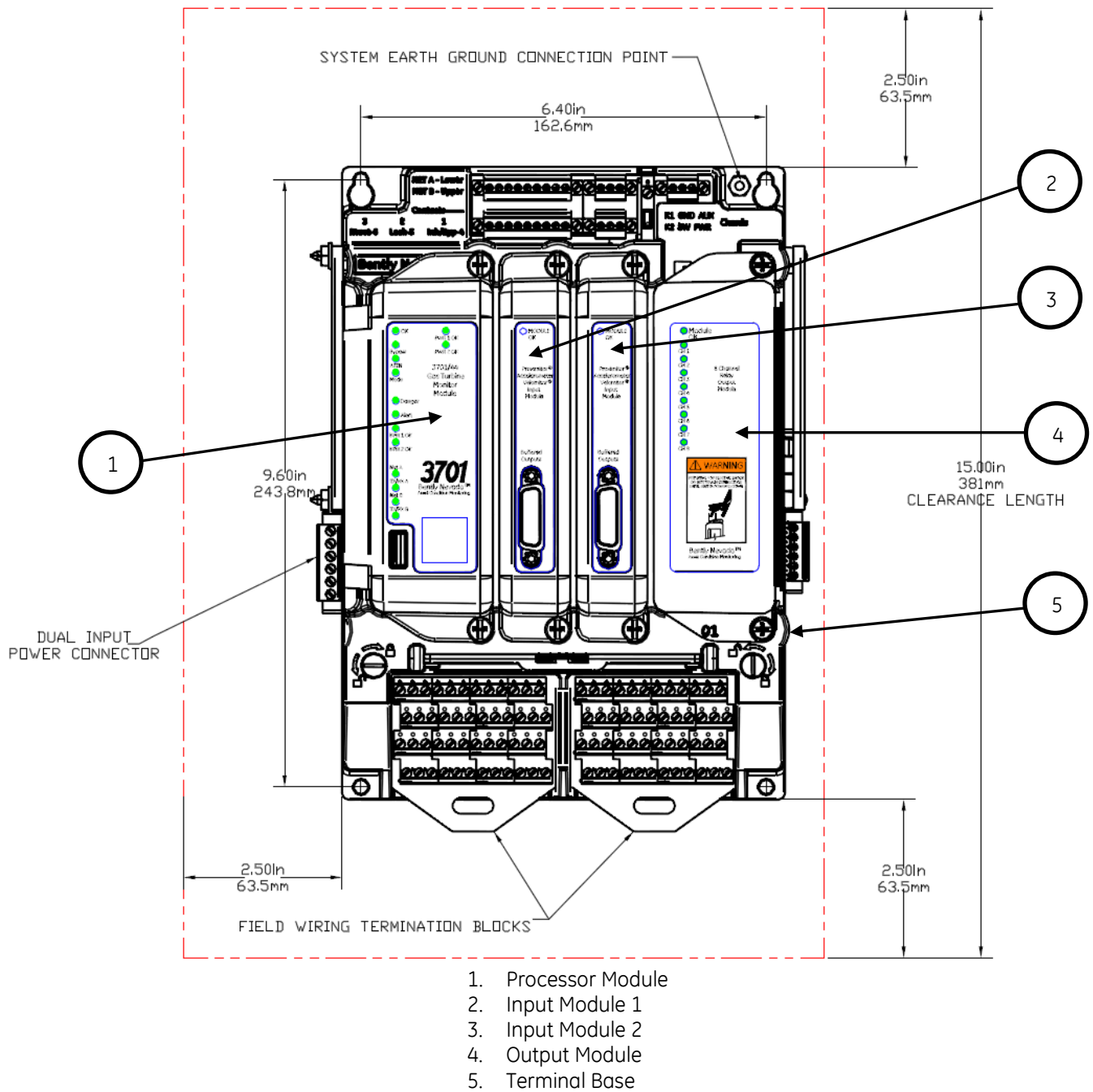
### Spares

<b>3701/44</b>	3701/44 Aeroderivative Monitor
<b>177896-01</b>	3701/44 Processor Module
<b>177990-01</b>	Prox Accel Aero (PAA) Module
<b>177990-01</b>	Prox Accel Aero (PAA) Module
<b>105M6001-01</b>	Positive Input (POV) Module
<b>177897-01</b>	3701 Output Relay Module
<b>175794-01</b>	3701 Simplex Terminal Base
<b>178372-01</b>	Duplex Terminal Base
<b>177992-01</b>	3701 Terminal Block – Standard
<b>100M9465-01</b>	BN Monitor Configuration SW DVD

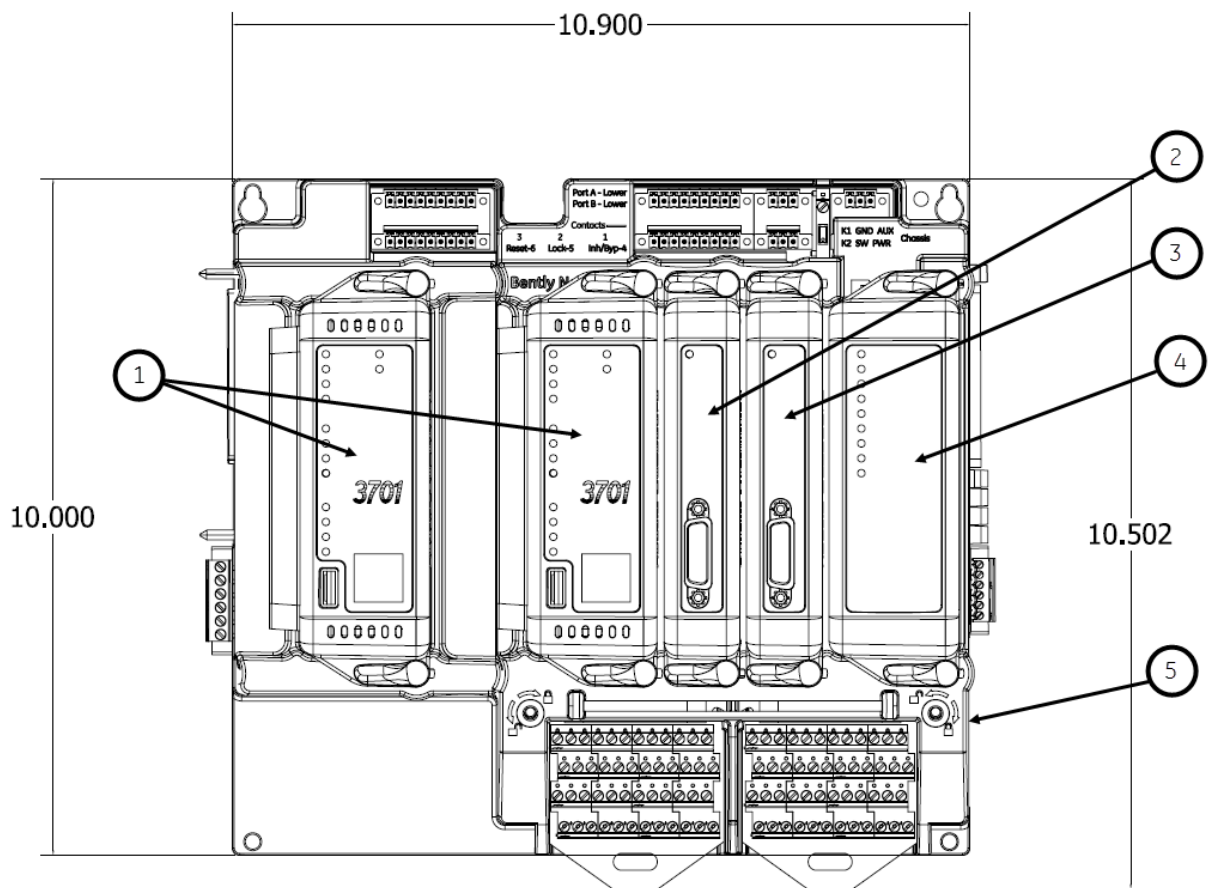
### Accessories

<b>323314-01</b>	Buffered Output cable 15 pin D-Sub to 7 SMA connectors. (SMA connectors work with the ADRE 408)
<b>323314-02</b>	Buffered Output cable 15 pin D-Sub to 7 BNC connectors
<b>324343</b>	Weatherproof Housing Kit
<b>Bently_Manuals</b>	Customer DVD containing all Bently Manuals, FWD, App Notes, and Install Guides in all available languages

# Figures



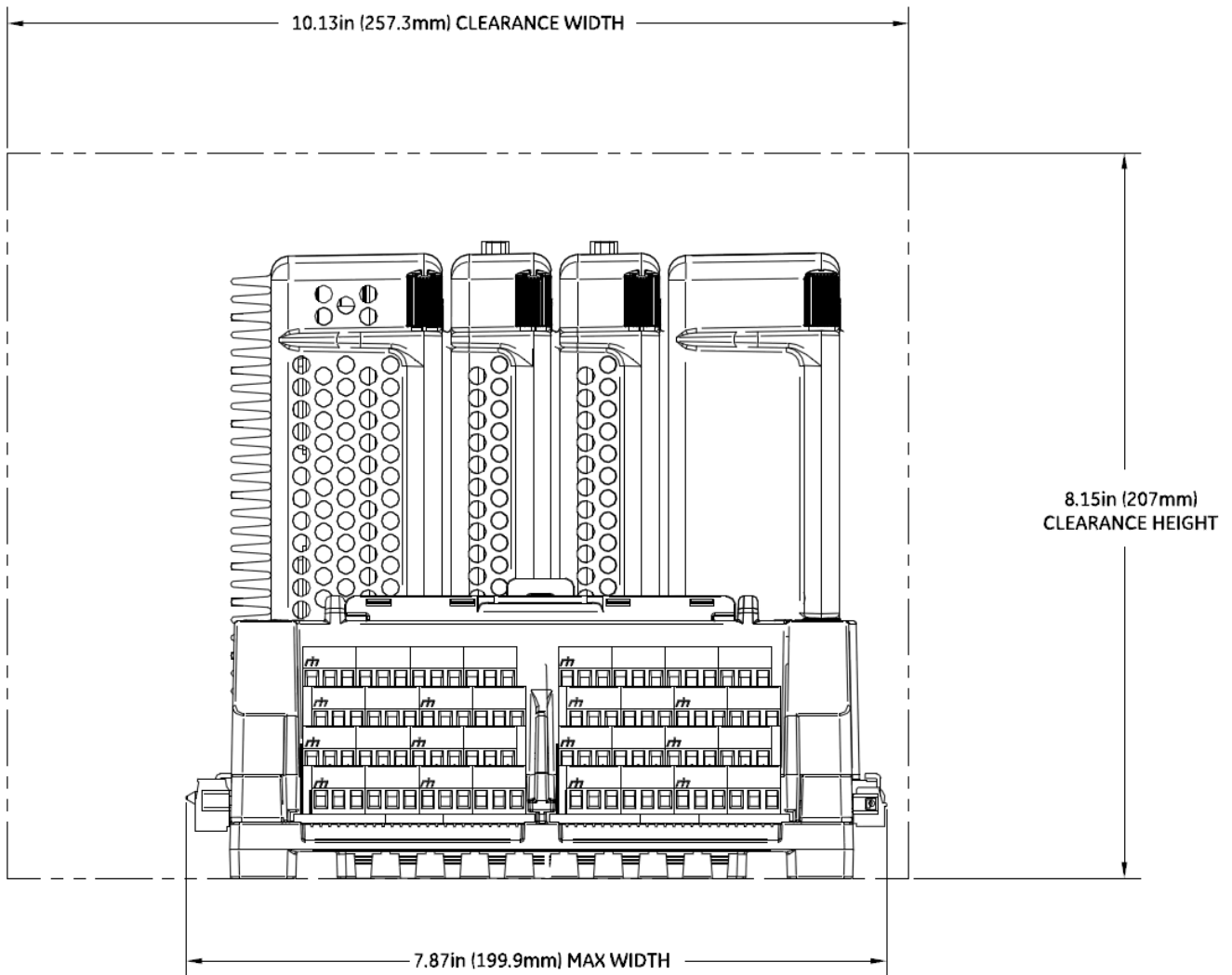
**3701/44 Simplex Terminal Base Top View**



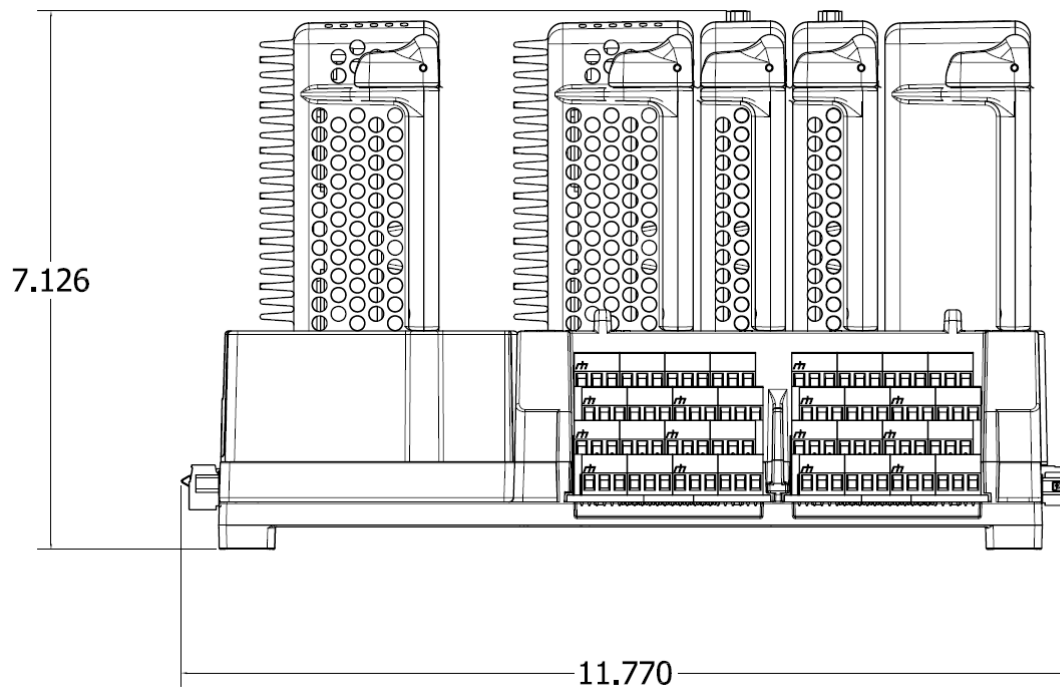
1. Processor Module(s)
2. Input Module 1
3. Input Module 2
4. Output Module
5. Terminal Base

**3701/44 Duplex Terminal Base Top View**





3701/44 Simplex Terminal Base Side View



**3701/44 Duplex Terminal Base Side View**

\*Denotes a trademark of Bently Nevada, Inc., a wholly owned subsidiary of General Electric Company.  
Microsoft and Windows are registered trademarks of Microsoft Corporation.

© 2013 – 2016 Bently Nevada, Inc. All rights reserved.  
This document is subject to change without prior notice.  
Printed in USA. Uncontrolled when transmitted electronically.  
1631 Bently Parkway South, Minden, Nevada USA 89423  
Phone: 1-775.782.3611 Fax: 1-775.215.2873  
[www.GEmeasurement.com](http://www.GEmeasurement.com)